

Electricals



Switch panel

Switch panel PGM-Fi - Single engine

06323-ZW5-645

- Kit includes: 1 switch panel with Starter/Emergency stop switches, 2 light panel, warning buzzer, wire harness & fittings

*Application: BF75DK0 to serial no BBAJ-1004818
BF90DK0 to serial no BBCJ-1014202
BF115/135/150A
BF175/200/225 A2/A6*



Switch panel PGM-Fi - Dual engine

06323-ZW5-755

- Kit includes: 2 switch panels with Starter/Emergency stop switches, 2 light panel, warning buzzer, wire harness & fittings

*Application: BF75DK0 to serial no BBAJ-1004818
BF90DK0 to serial no BBCJ-1014202
BF115/135/150A
BF175/200/225 A2/A6*



Switch panel PGM-Fi - Single engine

06323-ZZ5-761

- Kit includes: 1 switch panel with Starter/Emergency stop switches, 4 light panel, warning buzzer & fittings

*Application: BF40/50D, BF60A/BFP60A
BF75DK0 from serial no BBAJ-1004819
BF90DK0 from serial no BBCJ-1014203
BF175/200/225 AK1*



Switch panel PGM-Fi - Dual engine

06323-ZZ5-661

- Kit includes: 2 switch panels with Starter/Emergency stop switches, 4 light panel, warning buzzer & fittings

*Application: BF40/50D, BF60A/BFP60A
BF75DK0 from serial no BBAJ-1004819
BF90DK0 from serial no BBCJ-1014203
BF175/200/225 AK1*



Electricals



Switch panel

Switch plate

06200-ZV5-010AH

- Anodised aluminium plate allowing dash mounting of the ignition, choke and stop switches, the oil pressure/engine temp alert lamps and buzzer. Designed to accept components removed from Honda side mount remote control when installing top or panel mount controls



Application: BF25 to BF225

Required part: 87120-ZW5-000 E.F.I. sticker plate





Wire harness

Wire harness A

32540-ZV5-911

- Harness A: 2.1M (7 foot) long fused harness connecting tachometer, trim meter, light switch and harness B. If harness B is not used, an additional gauge can be connected to the unused terminal ends

Application: BF8 to BF225



Wire harness B

32550-ZV5-910

- Harness B: connects to Harness A, includes connections for the speedometer light, voltmeter and hourmeter

Application: BF8 to BF225



Wire harness Deluxe

32550-ZW5-U00

- Connects to harness A, includes connections for the speedometer light, voltmeter and hourmeter Deluxe

Application: BF8 to BF225



Instrument harness for fog resistant gauges

32200-ZW7-000AH

- Connects 5 gauge set plus optional water pressure gauge to main harness 1.37M long

Application: BF25 to BF225



Electricals



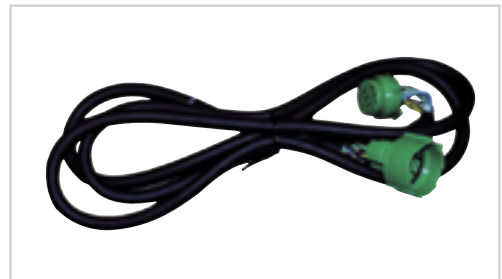
Wire harness

Wire harness

32570-ZW1-900

- Extension of main wire harness only, does not include PGM-Fi panel harness
- 2.1M (7 feet) long, attaches at engine end

Application: BF25 to BF225



Main wire harness

32580-ZY3-000

- 5.0M (16.5 feet) long
- Main wire harness with 14 wire conductor, does not extend 3 wire PGM-FI panel harness, attaches the switch panel, remote control and engine

Application: BF25 to BF225



Wire harness PGM-FI panel lights

32570-ZW5-U00

- 2.1M (7 feet) long harness connecting 3 wire PGM-FI light panel to engine (harness only)

Application: BF25 to BF225



Wire harness PGM-FI panel lights "Designed for digital gauges"

32185-ZY6-000

- 5.0M (16.5 feet) long harness connecting 2 wire PGM-FI light panel to engine (harness only)

Application: BF40D to BF225



Electricals



Wire harness

Wire harness PGM-FI panel lights

32185-ZY3-000

- 5.0M (16.5 feet) long harness connecting 3 wire PGM-FI light panel to engine (harness only)

Application: BF115 to BF225



Wire harness PGM-FI panel lights

32570-ZW5-U10

- 9.15M (30 feet) long harness
- connecting 3 wire PGM-FI light panel to engine (harness only)

Application: BF75 to BF225



Wire harness extension 8 plugs (4 at each end)

32570-ZW5-U20

- Extension of the main 17 wire conductor harness, includes the 3 main wires PGM-FI light panel harness, 2.1M (7 feet) long, attaches at remote control end

Application: BF40D to BF225



Wire harness extension 4 plugs (2 at each end)

32570-ZW9-900

- Ext. of the main 8 wire conductor harness, 2.1M (7 feet) long, attaches at engine end

Application: BF8D / BF10D



Electricals



Wire harness

6.1M main wire harness

06325-ZZ5-600

- 6.1M (20 feet) main wire harness, with separate PGM-Fi indicator cord
- 14 wire, 6 pin connector

Application: BF25 to BF225



7.6M main wire harness

06325-ZZ5-700

- 7.6M (25 feet) main wire harness, with separate PGM-Fi indicator cord
- 14 wire, 6 pin connector

Application: BF25 to BF225



9M main wire harness

06325-ZZ5-800

- 9M (30 feet) main wire harness, with separate PGM-Fi indicator cord
- 14 wire, 6 pin connector

Application: BF25 to BF225



Electricals



Wire harness

Wire harness extension 4 plugs (2 at each end)

32570-ZY1-900

- Extension of the main 10 wire conductor harness, 2.1M (7 feet) long, attaches at engine end
- Connection can be used 2 times

Application: BF15D / BF20D



Wire harness extension 6 plugs (3 at each end)

32570-ZY3-900

- Extension of the main 14 wire harness does not extend 3 wire PGM-FI light panel harness, 2.1M (7 feet) long, attaches at remote control end.

Application: BF40D to BF225





Control Switches / NMEA 2000

Tilt Limit Switch kit

06357-ZZ3-000

- Limits Tilt angle from the Remote control box & reduces risk of impact with the boat and engine hood
- Full tilt angle obtainable by use of the engine PTT switch

Application: BF60A, BFP60A



Trolling Control Switch Kit

35345-ZZ3-741

- Permits precise control of engine speed between 750 & 1000 rpm in increments of 50rpm.
- Ideal for use on leisure fishing boats and during slow speed manouveres.

Application: BF60A, BFP60A



NMEA Communication cable

06328-ZZ3-760HE

- NMEA 2000 communication cable permits direct connection of N2K engines to existing CAN Network
- 6M

Application: BF40D BBEJ-1007231 ~ / BF50D BBDJ-1003513 ~, BF60A, BFP60A, BF225/200/175AK1



NMEA 2000 T piece Connector

06325-ZZ3-760HE

- Permits use of additional electronic equipment with CAN networks or creation of new networks

Application: BF40D BBEJ-1007231 ~ / BF50D BBDJ-1003513 ~, BF60A, BFP60A, BF225/200/175AK1





NMEA 2000

NMEA 2000 Terminator (Male)

06326-ZZ3-760HE

- CAN network terminator connector

*Application: BF40D BBEJ-1007231 ~ / BF50D BBDJ-1003513 ~,
BF60A, BFP60A, BF225/200/175AK1*



NMEA 2000 Terminator (Female)

06327-ZZ3-760HE

- CAN network terminator connector

*Application: BF40D BBEJ-1007231 ~ / BF50D BBDJ-1003513 ~,
BF60A, BFP60A, BF225/200/175AK1*



Electricals



Battery

Marine Batteries

- Totally maintenance free battery, cover heatsealed, no filler caps, no contamination, featuring a unique charge indicator



Amp/h	KG	Reference	BF 8D	BF 10D	BF 15D	BF 20D	BF 25D	BF 30D	BF 40D	BF 50D	BF 60D	BFP 60D
44	12.1	31500-SK4-000HE	■	■	■	■	■	■	■	■	■	■
45	12.4	31500-ST3-100HE	■	■	■	■	■	■	■	■	■	■
45	12.4	31500-ST3-000HE	■	■	■	■	■	■	■	■	■	■
47	12.5	31500-SN7-E02	■	■	■	■	■	■	■	■	■	■
55	14.0	31500-SK4-100HE	■	■	■	■	■	■	■	■	■	■
55	14.9	31500-SN7-S02	■	■	■	■	■	■	■	■	■	■
65	16.4	31500-SV2-000HE	■	■	■	■	■	■	■	■	■	■
65	16.4	31500-SM4-010HE	■	■	■	■	■	■	■	■	■	■
70	17.7	31500-SP0-010HE	■	■	■	■	■	■	■	■	■	■
70	17.7	31500-SP0-020HE	■	■	■	■	■	■	■	■	■	■

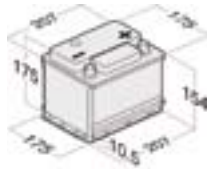


Electricals

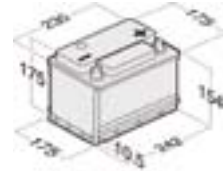


Battery

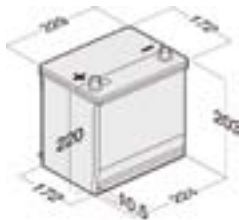
CATALOG REF 31500 SK4 000HE	
Ah	44
RES CAP MIN	75
CCA EN - 18° C	420
CCA BCI - 18° C	400
CCA IEC - 18° C	250
CCA DIN - 18° C	210
LOAD TEST AMPS	200
WEIGHT KG	12.10



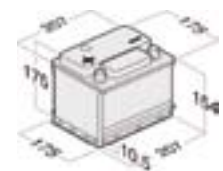
CATALOG REF 31500 SK4 100HE	
Ah	55
RES CAP MIN	90
CCA EN - 18° C	510
CCA BCI - 18° C	450
CCA IEC - 18° C	300
CCA DIN - 18° C	255
LOAD TEST AMPS	220
WEIGHT KG	14.00



CATALOG REF 31500 SM4 010HE	
Ah	65
RES CAP MIN	110
CCA EN - 18° C	480
CCA BCI - 18° C	525
CCA IEC - 18° C	280
CCA DIN - 18° C	250
LOAD TEST AMPS	260
WEIGHT KG	16.40



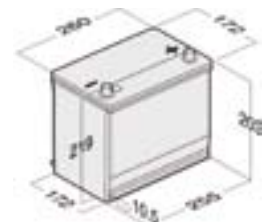
CATALOG REF 31500 SN7 E02	
Ah	45
RES CAP MIN	75
CCA EN - 18° C	420
CCA BCI - 18° C	400
CCA IEC - 18° C	250
CCA DIN - 18° C	210
LOAD TEST AMPS	200
WEIGHT KG	12.10



CATALOG REF 31500 SN7 S02	
Ah	55
RES CAP MIN	90
CCA EN - 18° C	450
CCA BCI - 18° C	400
CCA IEC - 18° C	275
CCA DIN - 18° C	255
LOAD TEST AMPS	200
WEIGHT KG	14.10



CATALOG REF 31500 SP0 010HE	
Ah	70
RES CAP MIN	125
CCA EN - 18° C	600
CCA BCI - 18° C	500
CCA IEC - 18° C	275
CCA DIN - 18° C	250
LOAD TEST AMPS	250
WEIGHT KG	17.65

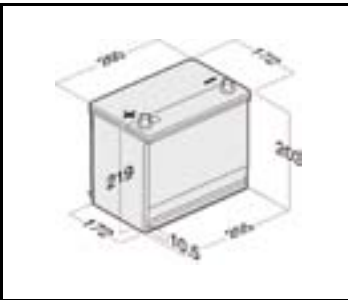


Electricals

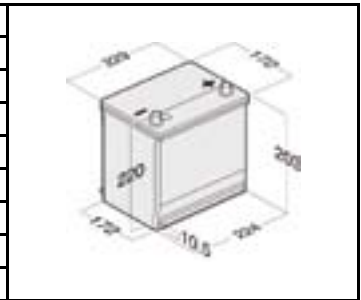


Battery

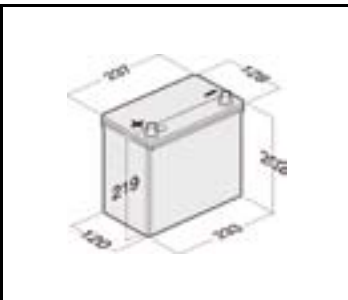
CATALOG REF 31500 SP0 020HE	
Ah	70
RES CAP MIN	125
CCA EN - 18° C	600
CCA BCI - 18° C	500
CCA IEC - 18° C	275
CCA DIN - 18° C	250
LOAD TEST AMPS	250
WEIGHT KG	17.65



CATALOG REF 31500 SV2 000HE	
Ah	65
RES CAP MIN	110
CCA EN - 18° C	480
CCA BCI - 18° C	525
CCA IEC - 18° C	280
CCA DIN - 18° C	250
LOAD TEST AMPS	260
WEIGHT KG	16.40



CATALOG REF 31500 ST3 000HE	
Ah	45
RES CAP MIN	75
CCA EN - 18° C	420
CCA BCI - 18° C	450
CCA IEC - 18° C	250
CCA DIN - 18° C	210
LOAD TEST AMPS	220
WEIGHT KG	12.40



CATALOG REF 31500 ST3 100HE	
Ah	45
RES CAP MIN	75
CCA EN - 18° C	420
CCA BCI - 18° C	450
CCA IEC - 18° C	250
CCA DIN - 18° C	210
LOAD TEST AMPS	220
WEIGHT KG	12.40

